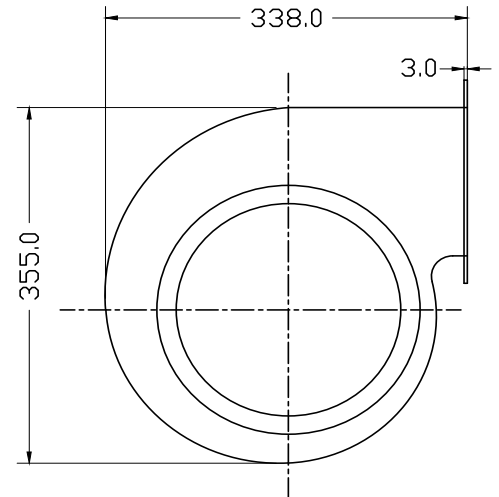
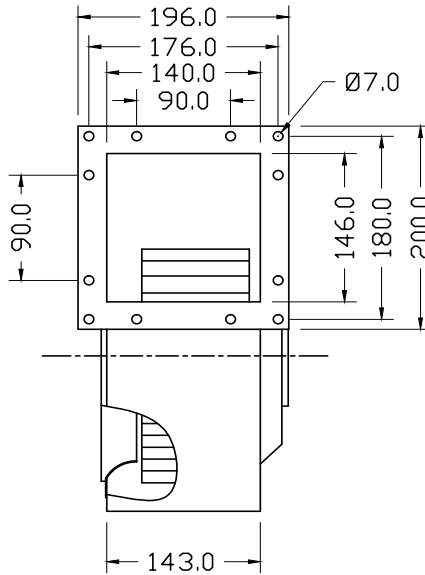




Industrial Fans & Blowers

# TECHNICAL DATA SHEET

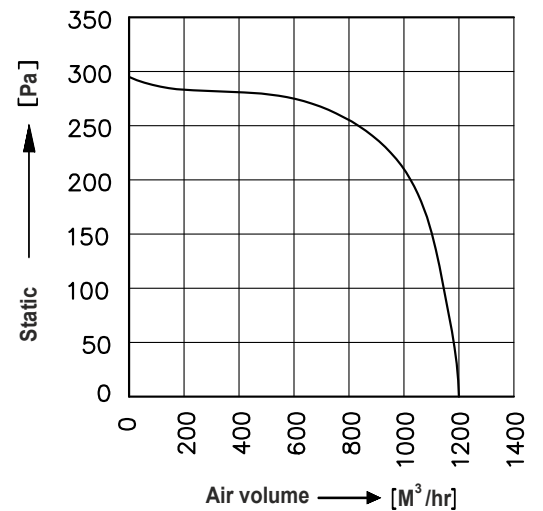


NOTE:- ALL DIMENSION ARE IN MM.

| SPECIFICATIONS (50 Hz) |           |             |             |                |                               |             |              |
|------------------------|-----------|-------------|-------------|----------------|-------------------------------|-------------|--------------|
| Volt (V)               | Watts (W) | Current (A) | Speed (RPM) | Capacitor (µF) | Air Vol. (m <sup>3</sup> /hr) | Noise (dBA) | Nt. Wt. (Kg) |
| 415                    | 375       | 0.75        | 1400        | ----           | 1200                          | 76          | 12.0         |

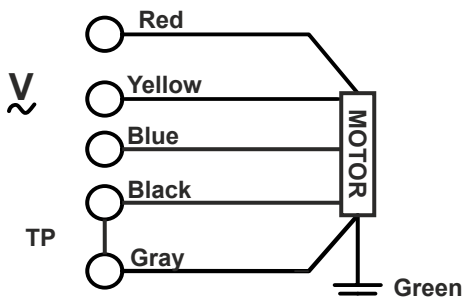
| MECHANICAL CHARACTERISTIC         |   |
|-----------------------------------|---|
| Impeller                          | G.I, Zinc Plated  |
| Grill                             | Steel, Powder Coated                                    |
| Rotor                             | Powder Coated   |
| Housing                           | Steel, Powder Coated In Black                           |
| Type Of Protection                | IP-54   |
| Motor Protected                   | Thermally Protected At 145 C                            |
| Insulation Class                  | "F"   |
| Bearing                           | Maintenance Free Ball Bearing                           |
| Permissible Ambient Temperature   | 0° To 60° C   |
| High Voltage Test According to IS | 3588-1987   |
| Direction Of Rotation             | Counter Clockwise, Seen On Rotor,                       |
| Balacing Grade                    | Fans Conform 6.3 Grade As Recommended By IS 1940-1-2003 |

## PERFORMANCE CURVE



Conversion: 100pa = 0.4" H2O 100m<sup>3</sup>/hr = 60cfm

## WIRING DIAGRAM



|                 |                 |                                       |
|-----------------|-----------------|---------------------------------------|
| DRAWN BY        | V.J.P           | TITLE:-<br><b>MODEL : SI240-4D-M5</b> |
| CHECKED BY      | J.G.P           |                                       |
| APPROVED BY     | S.B.D           |                                       |
| SCALE<br>N.T.S. | SHEET<br>1 OF 1 | REV/DATE: 03,14.06.2022               |

Note:- All Information contained in this document is **CONFIDENTIAL** and the property of ROTECH. Reproduction of this in any form is to be done with the specific permission of the company.