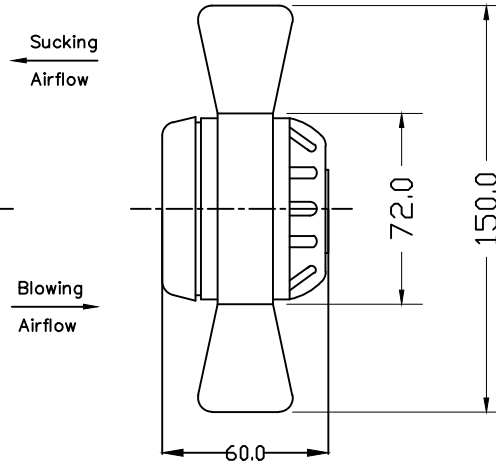
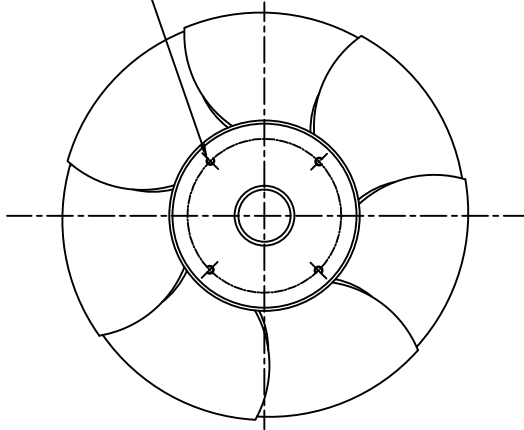


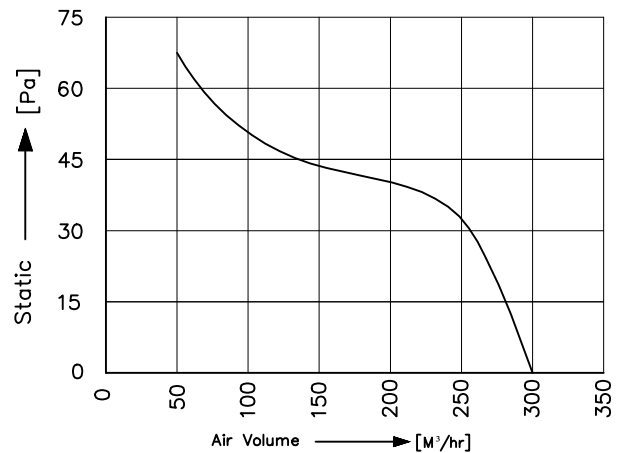
M4X8mm, 4Nos On  
Ø58.0mm PCD



## SPECIFICATION (50Hz)

Voltage (V)	230
Watt (W)	31
Amps (A)	0.12
Speed (rpm)	2500
Capacitor (µF)	1.0
Airflow (m <sup>3</sup> /hr)	300
Noise (dbA)	55
Net Weight (Kg)	1.1

## PERFORMANCE CURVE



Conversion: 100pa ≈ 0.4" H<sub>2</sub>O    100m<sup>3</sup>/hr ≈ 60cfm

All information contained in this document is CONFIDENTIAL and the property of ROTECH. Reproduction of this any form is to be done with the specific permission of the company.

### \*Material :

- Blade: Steel, powder coated
- Grill: Steel, powder coated
- Rotor: Powder coated
- Housing: Aluminium/steel powder coated

\*Type of protection: IP-44

\*Insulation Class: "F"- Class

\*Bearing: Maintenance free Ball Bearing.

\*Permissible ambient temperature: 0 to 60° C

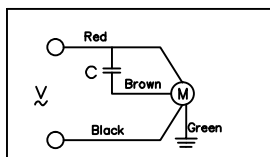
\*High Voltage test according to IS: 3588-1987

\*Balancing Grade: Fans conform 6.3 Grade as recommended by IS 1940-2003

\*Direction of rotation: Sucking- Counter clockwise

Blowing- Clockwise, Seen on rotor

### \*Wiring Diagram :



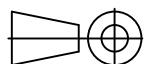
MODEL : AF150-2E-A1

SCALE: NTS | Page 1 of 2

REV/DATE: 02,15.02.2016

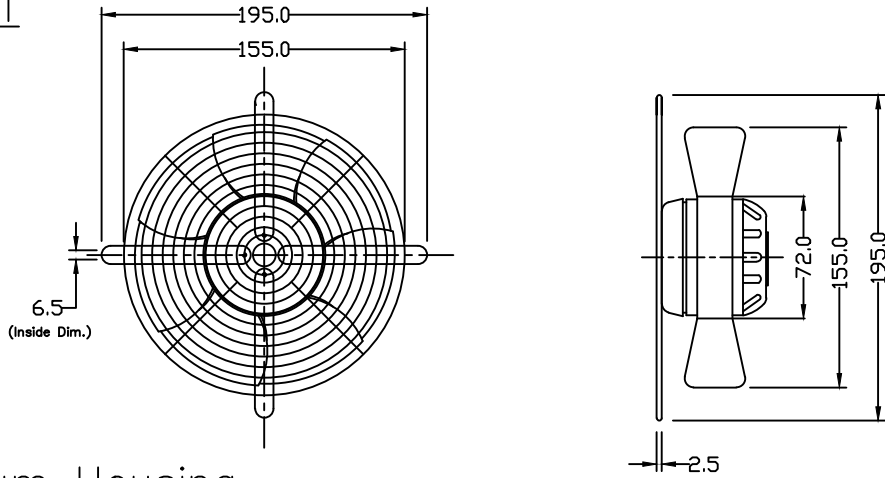
PREPARED BY : J.G.P

CHECKED BY : S.B.D



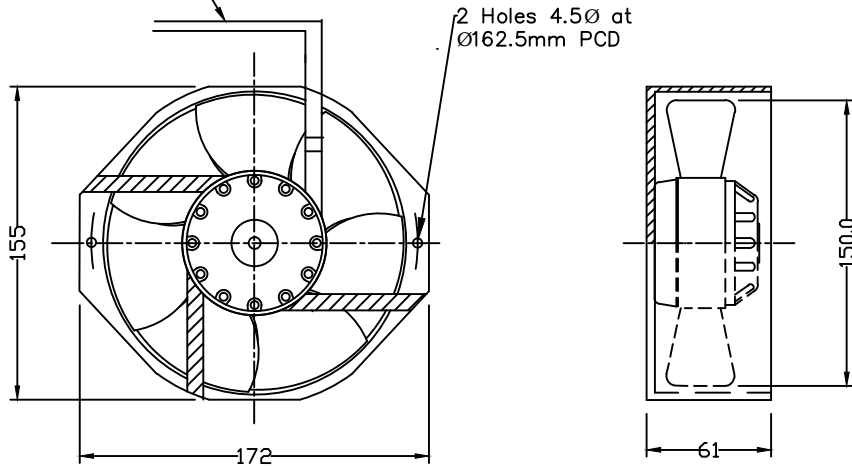
## ACCESSORIES

Flat Grill

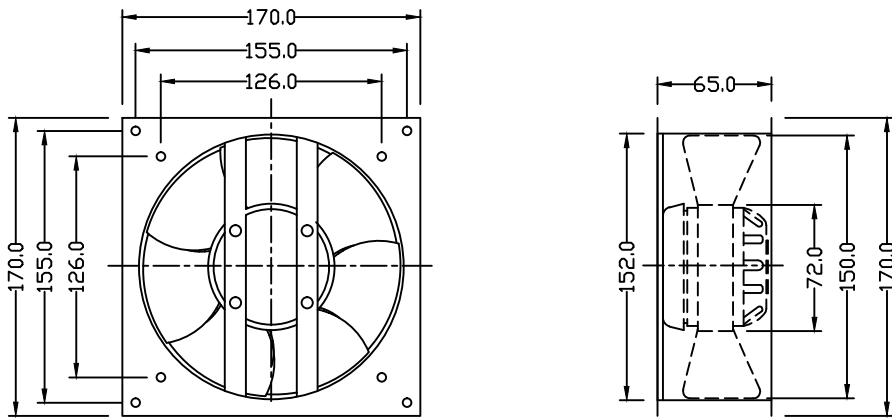


Aluminium Housing

Lead Wire, 250 mm long



M.S Housing



Material Thickness: 1.0mm

All information contained in this document is CONFIDENTIAL and the property of ROTECH. Reproduction of this any form is to be done with the specific permission of the company.

NOTE: ALL DIMENSIONS ARE IN MM.

MODEL : AF150-2E-A1

SCALE: NTS | Page 2 of 2

REV/DATE: 02,15.02.2016

PREPARED BY : J.G.P

CHECKED BY : S.B.D

