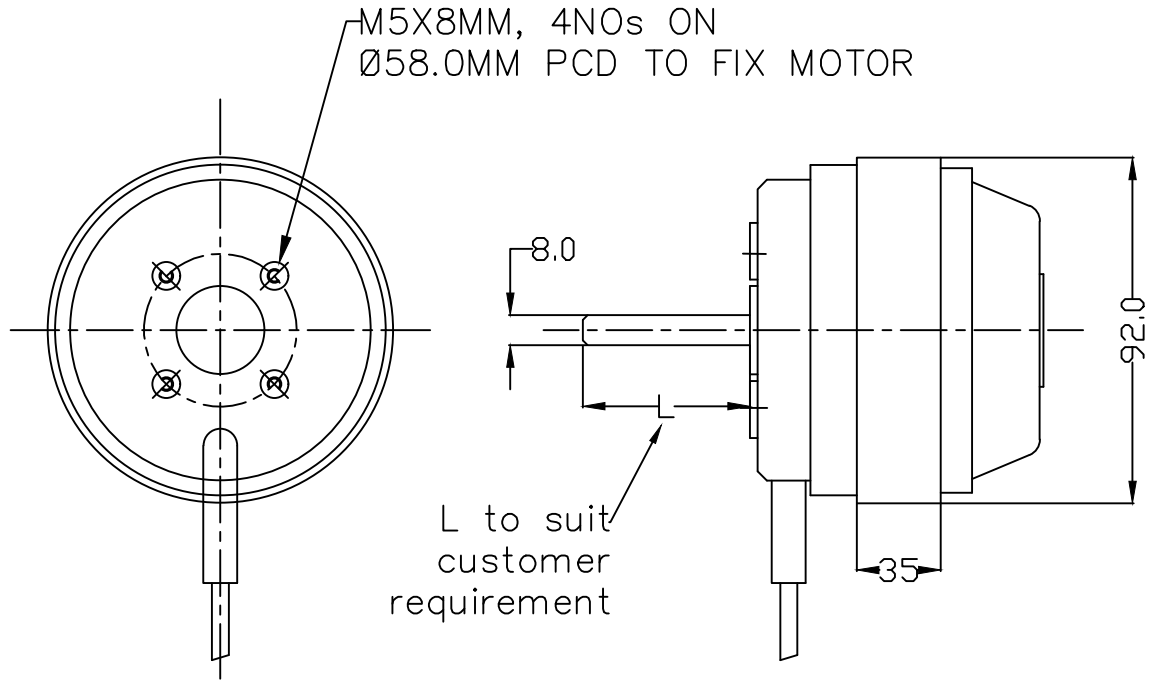


TECHNICAL DATA SHEET

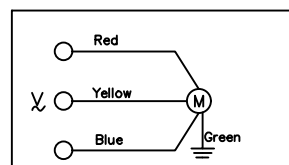


SPECIFICATION (50Hz)

Voltage (V)	415
Watt (No Load) (W)	35
Watt (Rated) (W)	135
Amps (No Load) (A)	0.18
Amps (Rated) (A)	0.35
Speed (rpm)	2800
Capacitor (μ F)	---
Noise (dbA)	49
Net Weight (Kg)	2.0

- *Material :
- *Rotor: Aluminum Die cast with Powder coated
- *Type of protection: IP-54
- *Insulation Class: "F"- Class
- *Bearing: Maintenance free Ball Bearing.
- *Motor Protection: Thermal Protected
- *Permissible ambient temperature: 0 to 60° C
- *High Voltage test according to IS: 3588-1987
- *Cable length: 1.5 Sq.mm - 6 Core Wire, 600mm
- *Balancing Grade: Fans conform 6.3 Grade as recommended by IS 1940-1-2003
- *Direction of rotation: Sucking- Counter clockwise
Blowing- Clockwise, Seen on rotor

*Wiring Diagram :



MODEL : M092-2D-S3

SCALE: NTS | Page 1 of 1

REV/DATE: 00,03.12.2020

PREPARED BY : J.G.P

CHECKED BY : S.B.D

