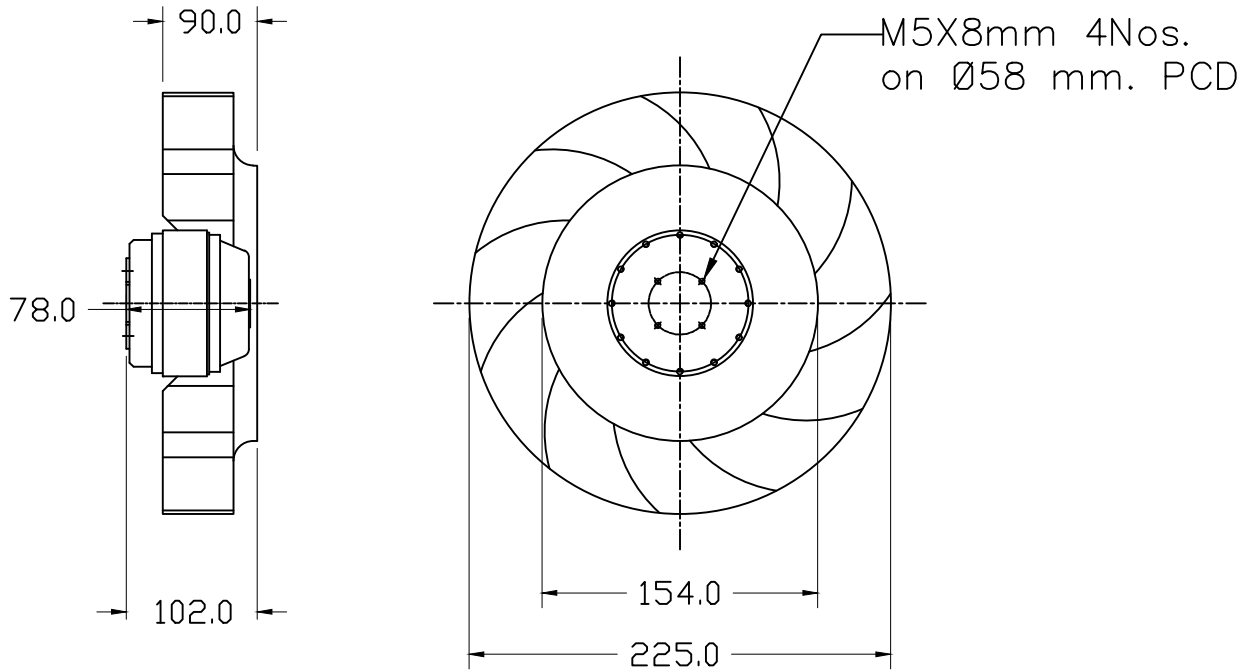


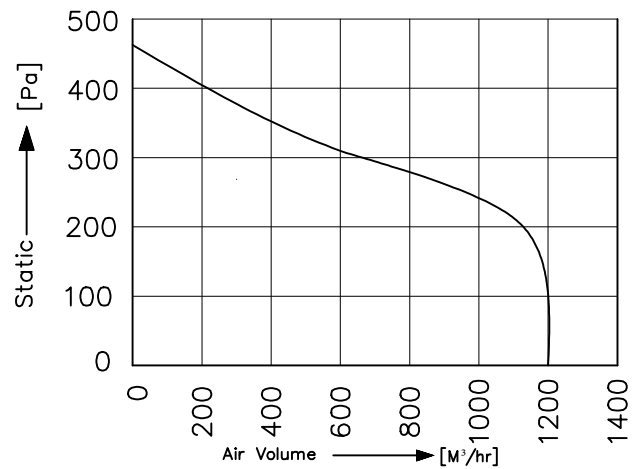
# TECHNICAL DATA SHEET



## SPECIFICATION (50Hz)

Voltage (V)	230
Watt (W)	125
Amps (A)	0.55
Speed (rpm)	2500
Capacitor ( $\mu$ F)	4.0
Airflow ( $m^3/hr$ )	1200
Noise (dbA)	74
Net Weight (Kg)	2.4

## PERFORMANCE CURVE



Conversion: 100pa  $\approx$  0.4" H<sub>2</sub>O      100m<sup>3</sup>/hr  $\approx$  60cfm

### \*Material :

-Impeller: Nylon6,30% Glass Filled

-Rotor: Powder coated

\*Type of protection: IP-54

\*Insulation Class: "F"- Class

\*Bearing: Maintenance free Ball Bearing.

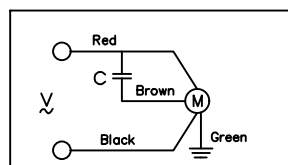
\*Permissible ambient temperature: 0 to 60° C

\*High Voltage test according to IS: 3588-1987

\*Balancing Grade: Fans conform 6.3 Grade as recommended by IS 1940-1-2003

\*Direction of rotation: Clockwise, Seen on rotor

### \*Wiring Diagram :



MODEL: BC225-2E-S3

SCALE: NTS | Page 1 of 1

REV/DATE: 00,01.02.2020

PREPARED BY : J.G.P

CHECKED BY : S.B.D

