



Industrial Fans & Blowers

INDUSTRIAL FANS AND BLOWERS



- External Rotor Motors
- Axial Flow Fans
- Centrifugal Blowers
- Backward Curved Fans
- Circular Inline Fans
- Cross Flow Fans



www.rotechfans.in

CONTENTS

| | |
|------------------------------------|----|
| Company Profile | 2 |
| Features & Applications | 3 |
| Model Coding System - How to Order | 3 |
| Axial Flow Fans | 4 |
| Cross Flow Fans | 7 |
| Single Inlet Centrifugal Blower | 8 |
| Double Inlet Centrifugal Blower | 10 |
| Backward Curved Fans | 12 |
| Circular & Rectangular Inline Fans | 14 |

COMPANY PROFILE

Rotech manufactures External Rotor Motors, Axial Flow Fans and Centrifugal Blowers. These products are used for a wide range of Industrial and HVAC applications as detailed in this catalogue. Our External Rotor Motors are manufactured to EN 60335-1 standards.

Rotech is an ISO 9001 certified company. We have an experienced team of workmen and a contemporary manufacturing set-up. The manufacturing facility is equipped with State-of-the-Art Machinery having CNC controls which can cater to bulk requirements. Rotech products are well known in the industry for their quality and reliability. Every product goes through stringent quality checks to ensure life long guarantee of trouble free performance.

Rotech constantly focuses on developing and innovating new products. Committed to manufacturing & supplying innovative high quality products, Rotech has a long list of faithful clients, in this age of brand switching. Almost all products are used by leading industries or wherever product quality counts.



Factory at Bilimora, Gujarat

SALIENT FEATURES

- Manufactured to EN 60335-1.
- Compact in size.
- Continuous rating with high efficiency.
- Variable speed by changing input voltage or frequency.
- Dynamically balanced in 2 planes
- Balancing as per grade 6.3 of ISO 1940-2000; VDI 2060.
- Winding surge and H.V. Tested.
- Double shielded pre-lubricated ball bearings.
- Low noise.
- Maximum ambient temperature 55° C.

APPLICATIONS

■ AXIAL FLOW FANS

[Applications requiring high air volume and low pressure]

- Instrumentation and electrical panel cooling.
- UPS systems.
- Condenser fans in air conditioning & refrigeration.
- Walk in coolers and deep freezers.
- Welding sets and rectifiers.
- Lift cabin fans.
- Industrial & domestic exhaust fans.

■ CROSS FLOW FANS

[Applications requiring air at low velocity]

- Lift cabin cooling.
- Electrical panel cooling.
- HVAC applications.

■ CENTRIFUGAL BLOWERS

[Applications requiring high static pressure with low volume]

- Cooling AC/DC drives.
- HVAC applications.

■ BACKWARD CURVED FANS

[Applications requiring high static pressure at inlet]

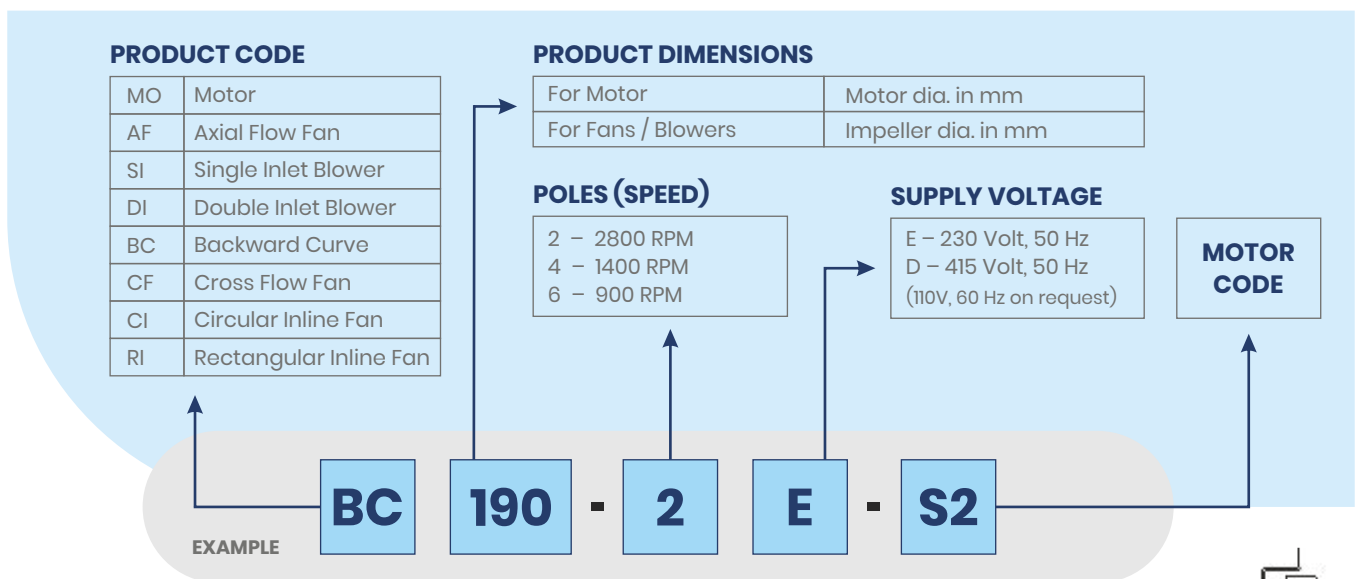
- Roof extractors.
- Electrical panel cooling.
- Thyristor panel cooling.

■ INLINE FANS

[Applications requiring boosting airflow within ducts]

- HVAC applications.
- Industrial & domestic ventilation in bathrooms & kitchens.

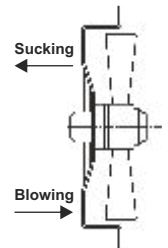
MODEL CODING SYSTEM - HOW TO ORDER



NOTE: For Axial Flow Fans the following additional details need to be specified :

- 1) Air Flow Direction** - Reverse/Suction (R) [From Blade to Grill] **OR** Forward/Blow (F) [From Grill to Blade]
- 2) Accessories** - Flat Grill (FG), Basket Grill (BG), Exhaust Frame (EX), Housing (H).

Example for Axial Flow Fan : AF200-2E-S2-RBG



NOTE: Air performance measurements are in conformance with IS 3588.

All sound measurements are carried out in an acoustic test room, usually at a distance of 1 meter from the fan. The sound levels given are the A-weighted overall sound power level.

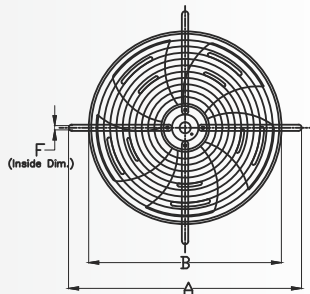
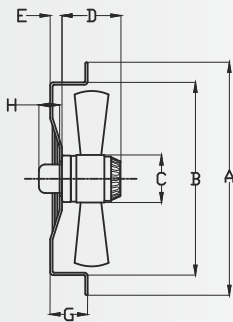
AXIAL FLOW FANS



Blade Diameter : 200 to 630 MM
Input Volts : 110, 230, 415 Volts AC 50/60 Hz. Single & Three Phase
Speed : 900, 1400, 2800 RPM
Air Volume : 350 to 12000 M3/HR
Max Pressure : 35 MM WG

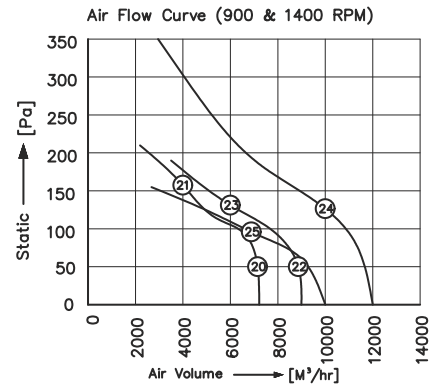
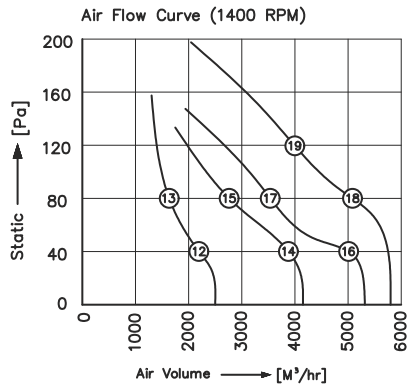
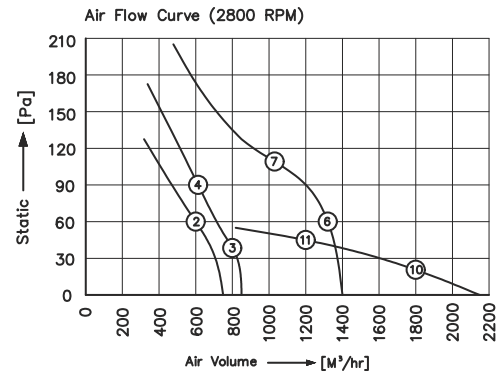
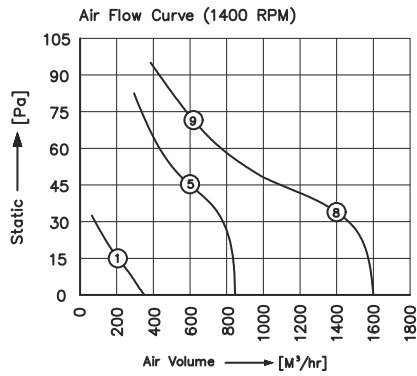
ACCESSORIES AVAILABLE : FRAMES, HOUSINGS, FLAT & BASKET GRILLS

DIMENSIONS - AXIAL FLOW FANS



| Model | A | B | C | D | E | F | G | H |
|-------|-----|-----|-----|-----|----|------|-----|----|
| AF200 | 280 | 230 | 92 | 68 | - | 7.0 | 45 | 55 |
| AF250 | 345 | 275 | 92 | 78 | - | 8.5 | 45 | 55 |
| AF300 | 380 | 320 | 92 | 88 | 30 | 7.5 | 80 | 55 |
| AF350 | 450 | 365 | 102 | 107 | 30 | 8.5 | 80 | 55 |
| AF400 | 495 | 420 | 102 | 120 | 30 | 8.5 | 80 | 55 |
| AF450 | 555 | 475 | 102 | 133 | 30 | 8.5 | 80 | 55 |
| AF450 | 555 | 475 | 137 | 123 | 30 | 8.5 | 80 | 55 |
| AF500 | 620 | 540 | 137 | 123 | 30 | 8.5 | 80 | 55 |
| AF550 | 680 | 595 | 137 | 136 | 30 | 8.5 | 100 | 55 |
| AF630 | 775 | 650 | 137 | 156 | 30 | 11.0 | 100 | 55 |

All Dimensions are in MM

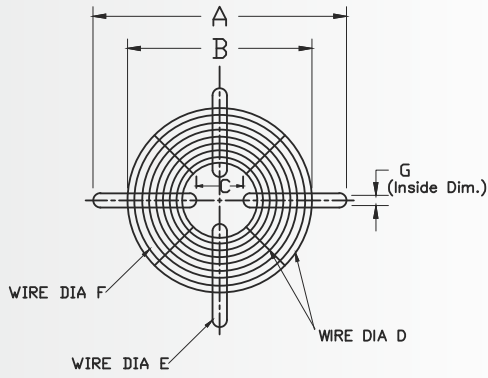


Conversion: 100pa ≈ 0.4" H2O 100m³/hr ≈ 60cfm

SPECIFICATIONS - AXIAL FLOW FANS

| Sr. No. | Model | Volt (v) | Watts (w) | Current (A) | Speed (RPM) | Capacitor (µF) | Air Vol. (m³/hr) | Noise (dBA) | Nt. Wt. (Kg) |
|---------|-------------|----------|-----------|-------------|-------------|----------------|------------------|-------------|--------------|
| 1 | AF200-4E-S1 | 230 | 32 | 0.15 | 1400 | 1.00 | 350 | 56 | 1.6 |
| 2 | AF200-2E-S1 | 230 | 43 | 0.20 | 2500 | 1.00 | 750 | 62 | 1.6 |
| 3 | AF200-2E-S2 | 230 | 49 | 0.21 | 2850 | 2.00 | 850 | 63 | 2.0 |
| 4 | AF200-2D-S2 | 415 | 59 | 0.18 | 2850 | - | 850 | 63 | 2.0 |
| 5 | AF250-4E-S2 | 230 | 50 | 0.19 | 1450 | 2.00 | 850 | 60 | 2.3 |
| 6 | AF250-2E-S2 | 230 | 96 | 0.41 | 2500 | 2.00 | 1400 | 66 | 2.3 |
| 7 | AF250-2D-S2 | 415 | 98 | 0.20 | 2500 | - | 1400 | 66 | 2.3 |
| 8 | AF300-4E-S3 | 230 | 85 | 0.37 | 1350 | 3.15 | 1600 | 60 | 3.0 |
| 9 | AF300-4D-S3 | 415 | 90 | 0.32 | 1350 | - | 1600 | 60 | 3.0 |
| 10 | AF300-2E-S3 | 230 | 155 | 0.63 | 2300 | 4.0 | 2150 | 68 | 3.3 |
| 11 | AF300-2D-S3 | 415 | 155 | 0.25 | 2300 | - | 2150 | 68 | 3.3 |
| 12 | AF350-4E-K3 | 230 | 140 | 0.63 | 1400 | 4.00 | 2500 | 58 | 4.9 |
| 13 | AF350-4D-K3 | 415 | 140 | 0.48 | 1400 | - | 2500 | 58 | 4.9 |
| 14 | AF400-4E-K4 | 230 | 180 | 0.75 | 1400 | 6.00 | 4150 | 64 | 5.7 |
| 15 | AF400-4D-K4 | 415 | 180 | 0.50 | 1400 | - | 4150 | 64 | 5.7 |
| 16 | AF450-4E-K5 | 230 | 250 | 1.15 | 1400 | 8.00 | 5400 | 65 | 7.0 |
| 17 | AF450-4D-K5 | 415 | 250 | 0.60 | 1400 | - | 5400 | 65 | 7.0 |
| 18 | AF450-4E-M3 | 230 | 380 | 1.60 | 1350 | 10.00 | 5800 | 71 | 8.5 |
| 19 | AF450-4D-M3 | 415 | 380 | 1.05 | 1350 | - | 5800 | 71 | 8.5 |
| 20 | AF500-4E-M3 | 230 | 415 | 1.78 | 1300 | 10.00 | 7200 | 70 | 9.0 |
| 21 | AF500-4D-M3 | 415 | 450 | 1.15 | 1300 | - | 7200 | 70 | 9.0 |
| 22 | AF550-4E-M5 | 230 | 560 | 2.45 | 1300 | 12.00 | 9000 | 72 | 12.0 |
| 23 | AF550-4D-M5 | 415 | 550 | 1.00 | 1300 | - | 9000 | 72 | 12.0 |
| 24 | AF630-4D-M7 | 415 | 815 | 1.68 | 1350 | - | 12000 | 78 | 15.0 |
| 25 | AF630-6D-M7 | 415 | 550 | 2.50 | 950 | - | 10000 | 71 | 15.0 |

FLAT GRILL

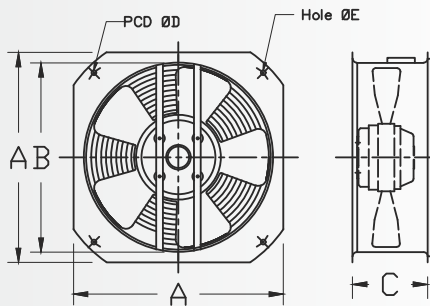


| Blade Dia | A | B | C | D | E | F | G |
|-----------|-----|-----|----|---|---|-----|------|
| 200 | 265 | 205 | 40 | 3 | 4 | 3.0 | 7.0 |
| 250 | 305 | 260 | 40 | 3 | 4 | 3.0 | 7.0 |
| 300 | 360 | 290 | 45 | 4 | 4 | 3.0 | 7.0 |
| 350 | 440 | 380 | 75 | 4 | 4 | 2.5 | 8.5 |
| 400 | 500 | 435 | 75 | 4 | 4 | 2.5 | 10.0 |

Note : Please inquire with us if a special type of grill is required

All Dimensions are in MM

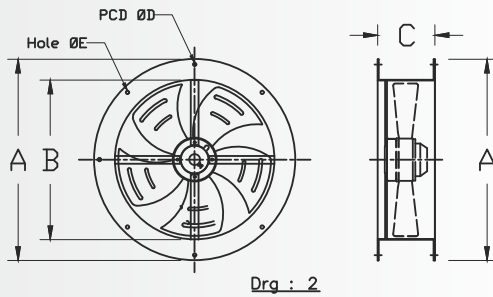
SQUARE HOUSING



| Blade Dia | A | B | C | D | E | No's of Hole | Material Thick |
|-----------|-----|-----|-----|-----|------|--------------|----------------|
| 200 | 220 | 205 | 86 | 240 | 6.0 | 4 | 1 |
| 250 | 280 | 253 | 100 | 290 | 6x14 | 4 | 1 |

All Dimensions are in MM

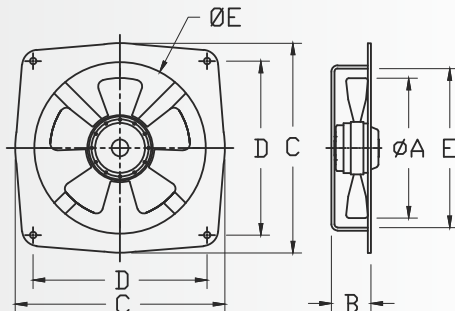
ROUND HOUSING



| Blade Dia | A | B | C | D | E | No's of Hole | Material Thick |
|-----------|-----|-----|-----|-----|-----|--------------|----------------|
| 300 | 360 | 310 | 100 | 335 | 7.5 | 6 | 1 |
| 400 | 528 | 416 | 150 | 500 | 7.5 | 8 | 2 |

All Dimensions are in MM

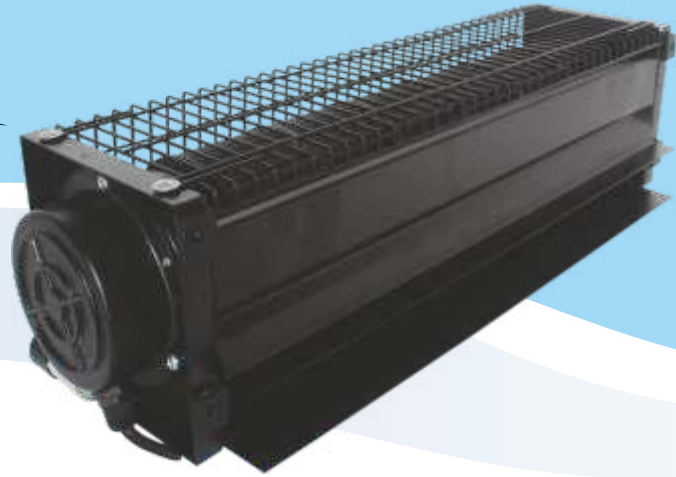
EXHAUST FRAME



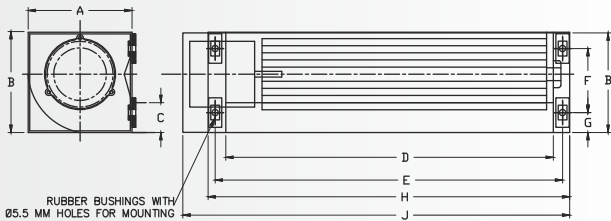
| Blade Dia | ØA | B | C | D | ØE |
|-----------|-----|-----|-----|-----|-----|
| 200 | 200 | 65 | 295 | 235 | 238 |
| 300 | 300 | 80 | 390 | 310 | 325 |
| 350 | 350 | 100 | 470 | 375 | 400 |
| 450 | 450 | 130 | 555 | 450 | 485 |
| 630 | 630 | 190 | 720 | 595 | 635 |

All Dimensions are in MM

CROSS FLOW FANS



DIMENSIONS - CROSS FLOW FANS



| Model | A | B | C | D | E | F | G | H | J |
|-------------|-----|-----|----|-----|-----|-----|----|-----|-----|
| CF300-4E-C1 | 125 | 130 | 39 | 354 | 375 | 90 | 28 | 395 | 418 |
| CF400-4E-C2 | 127 | 135 | 42 | 450 | 470 | 90 | 28 | 485 | 510 |
| CF650-4E-K3 | 180 | 185 | 54 | 710 | 740 | 120 | 46 | 764 | 885 |

All Dimensions are in MM

SPECIFICATIONS - CROSS FLOW FANS

| Sr. No. | Model | Volt (v) | Watts (W) | Current (A) | Speed (RPM) | Capacitor (µF) | Air Vol. (m ³ /hr) | Noise (dBA) | Nt. Wt. (Kg) |
|---------|-------------|----------|-----------|-------------|-------------|----------------|-------------------------------|-------------|--------------|
| 1 | CF300-4E-C1 | 230 | 45 | 0.17 | 1350 | 1.50 | 450 | 55 | 3.0 |
| 2 | CF400-4E-C2 | 230 | 45 | 0.19 | 1300 | 1.50 | 580 | 55 | 3.5 |
| 3 | CF650-4E-K3 | 230 | 155 | 0.65 | 1300 | 4.00 | 750 | 60 | 12.5 |

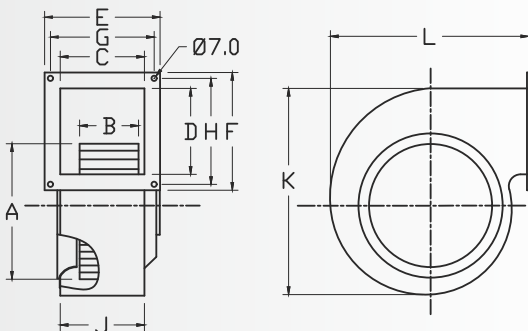
SINGLE INLET CENTRIFUGAL BLOWER



Impeller Diam. : 133 to 240 MM
Input Volts : 110, 230, 415 Volts AC 50/60 Hz. Single & Three Phase
Speed : 900, 1400, 2800 RPM
Air Volume : 225 to 1200 M3/HR
Max Pressure : 50 MM WG

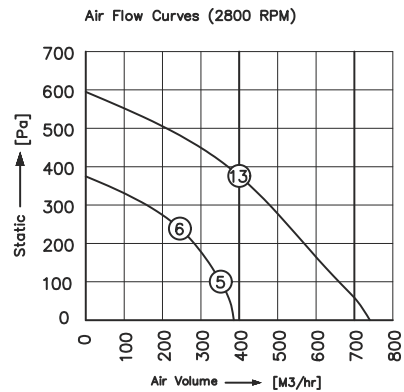
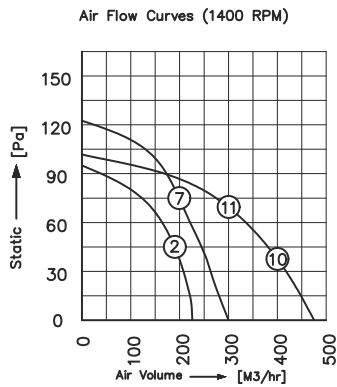
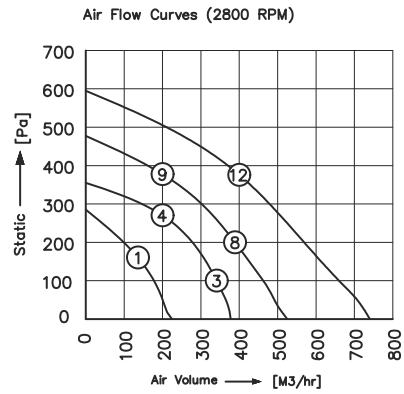
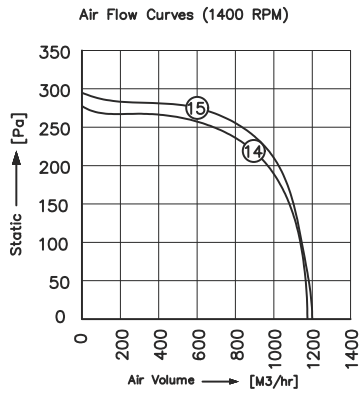
SCROLLS IN C.R.C.A., POWDER COATED & IMPELLERS IN GI

DIMENSIONS - SINGLE INLET



| Model | A | B | C | D | E | F | G | H | J | K | L |
|----------|-----|-----|-----|-----|-----|-----|-----|-----|-----|-----|-----|
| SI133-S1 | 133 | 48 | 60 | 75 | 100 | 110 | 80 | 90 | 62 | 190 | 192 |
| SI140-S2 | 140 | 60 | 80 | 75 | 120 | 115 | 100 | 95 | 82 | 205 | 195 |
| SI140-S3 | 140 | 60 | 80 | 75 | 120 | 115 | 100 | 85 | 82 | 205 | 195 |
| SI160-S3 | 160 | 60 | 80 | 90 | 120 | 130 | 100 | 108 | 82 | 258 | 235 |
| | | | | | | | 90 | 120 | | | |
| SI180-K4 | 180 | 75 | 100 | 110 | 138 | 150 | 115 | 128 | 102 | 270 | 265 |
| SI240-M5 | 240 | 100 | 140 | 146 | 196 | 200 | 176 | 180 | 143 | 355 | 338 |

All Dimensions are in MM



Conversion: 100pa ≈ 0.4" H2O 100m³/hr ≈ 60cfm

SPECIFICATIONS - SINGLE INLET

| Sr. No. | Model | Volt (V) | Watts (W) | Current (A) | Speed (RPM) | Capacitor (μF) | Air Vol. (m ³ /hr) | Noise (dBA) | Nt. Wt. (Kg) |
|---------|-------------|----------|-----------|-------------|-------------|----------------|-------------------------------|-------------|--------------|
| 1 | SI133-2E-S1 | 230 | 55 | 0.24 | 2100 | 1.00 | 225 | 70 | 2.5 |
| 2 | SI140-4E-S2 | 230 | 50 | 0.21 | 1400 | 2.00 | 225 | 60 | 2.8 |
| 3 | SI140-2E-S2 | 230 | 97 | 0.40 | 2350 | 2.00 | 375 | 73 | 2.8 |
| 4 | SI140-2D-S2 | 415 | 96 | 0.18 | 2350 | - | 375 | 73 | 2.8 |
| 5 | SI140-2E-S3 | 230 | 125 | 0.55 | 2750 | 4.00 | 400 | 76 | 3.3 |
| 6 | SI140-2D-S3 | 415 | 113 | 0.27 | 2700 | - | 400 | 76 | 3.3 |
| 7 | SI160-4E-S3 | 230 | 78 | 0.31 | 1400 | 3.15 | 300 | 66 | 3.6 |
| 8 | SI160-2E-S3 | 230 | 176 | 0.76 | 2500 | 4.00 | 525 | 76 | 3.6 |
| 9 | SI160-2D-S3 | 415 | 166 | 0.31 | 2550 | - | 525 | 77 | 3.6 |
| 10 | SI180-4E-K3 | 230 | 135 | 0.63 | 1450 | 5.00 | 475 | 69 | 4.9 |
| 11 | SI180-4D-K3 | 415 | 140 | 0.58 | 1450 | - | 475 | 69 | 4.9 |
| 12 | SI180-2E-K4 | 230 | 280 | 1.23 | 2500 | 6.00 | 730 | 81 | 5.5 |
| 13 | SI180-2D-K4 | 415 | 280 | 0.45 | 2550 | - | 730 | 81 | 5.5 |
| 14 | SI240-4E-M5 | 230 | 330 | 1.50 | 1350 | 10.0 | 1150 | 76 | 12.0 |
| 15 | SI240-4D-M5 | 415 | 320 | 0.90 | 1400 | - | 1200 | 76 | 12.0 |

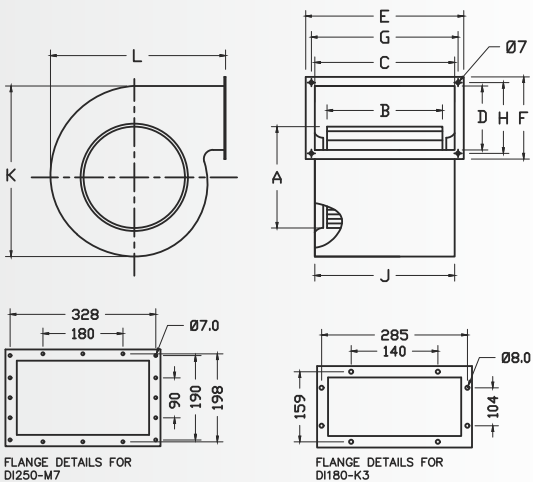
DOUBLE INLET CENTRIFUGAL BLOWER



Impeller Diam. : 133 to 250 MM
Input Volts : 110, 230, 415 Volts AC 50/60 Hz. Single & Three Phase
Speed : 900, 1400, 2800 RPM
Air Volume : 450 to 3250 M³/HR
Max Pressure : 50 MM WG

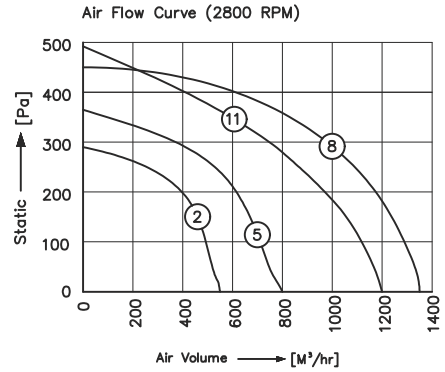
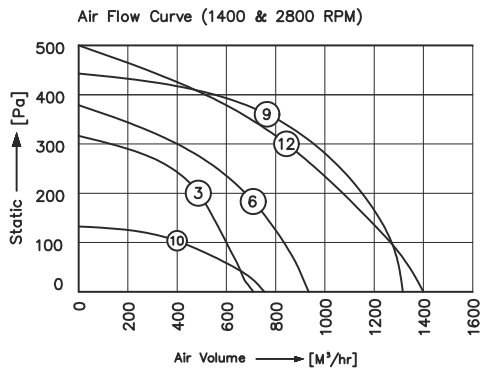
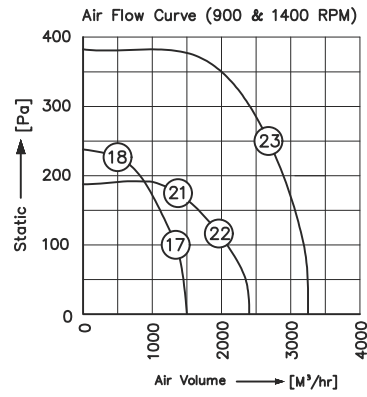
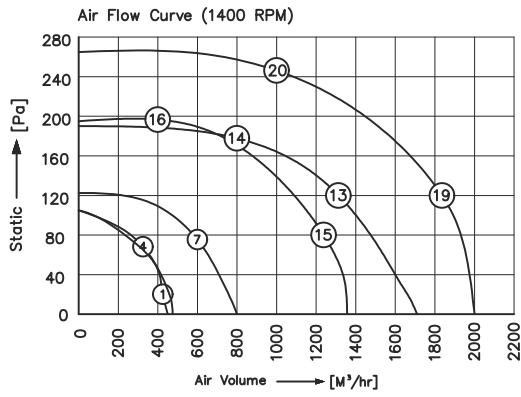
SCROLLS IN C.R.C.A., POWDER COATED & IMPELLERS IN GI

DIMENSIONS - DOUBLE INLET



| Model | A | B | C | D | E | F | G | H | J | K | L |
|-------------|-----|-----|-----|-----|-----|-----|---------------------|-----|-----|-----|-----|
| DI133-S2 | 133 | 120 | 168 | 102 | 206 | 142 | 190 | 126 | 168 | 213 | 204 |
| DI133-S3 | 133 | 180 | 215 | 68 | 254 | 108 | 238 | 92 | 215 | 187 | 188 |
| DI146-S3 | 146 | 180 | 232 | 102 | 270 | 142 | 254 | 126 | 232 | 221 | 215 |
| DI146-S6 | 146 | 180 | 232 | 88 | 266 | 120 | 251 | 105 | 232 | 236 | 226 |
| DI160-S3/S8 | 160 | 150 | 202 | 105 | 240 | 145 | 220 | 125 | 202 | 223 | 227 |
| DI180-K3 | 180 | 210 | 258 | 135 | 310 | 180 | As shown separately | | 260 | 308 | 300 |
| DI180-K4 | 180 | 180 | 228 | 100 | 275 | 150 | 255 | 130 | 230 | 267 | 257 |
| DI200-K5 | 200 | 180 | 202 | 150 | 256 | 204 | 225 | 175 | 204 | 365 | 335 |
| DI225-M5 | 225 | 210 | 242 | 140 | 296 | 194 | 265 | 165 | 244 | 370 | 328 |
| DI250-M7 | 250 | 250 | 298 | 167 | 349 | 218 | As shown separately | | 300 | 395 | 390 |

All Dimensions are in MM



Conversion: 100pa ≈ 0.4" H2O 100m³/hr ≈ 60cfm

SPECIFICATIONS - DOUBLE INLET

| Sr. No. | Model | Volt (V) | Watts (W) | Current (A) | Speed (RPM) | Capacitor (µF) | Air Vol. (m³/hr) | Noise (dBA) | Nt. Wt. (Kg) |
|---------|-------------|----------|-----------|-------------|-------------|----------------|------------------|-------------|--------------|
| 1 | D1133-4E-S2 | 230 | 55 | 0.24 | 1300 | 2.00 | 450 | 60 | 3.5 |
| 2 | D1133-2E-S2 | 230 | 92 | 0.39 | 1650 | 2.00 | 550 | 70 | 3.5 |
| 3 | D1133-2D-S2 | 415 | 140 | 0.24 | 2000 | - | 700 | 70 | 3.5 |
| 4 | D1133-4E-S3 | 230 | 80 | 0.35 | 1400 | 3.15 | 475 | 67 | 4.5 |
| 5 | D1133-2E-S3 | 230 | 160 | 0.66 | 1800 | 3.15 | 800 | 75 | 4.5 |
| 6 | D1133-2D-S3 | 415 | 198 | 0.32 | 2150 | - | 925 | 75 | 4.5 |
| 7 | D1146-4E-S3 | 230 | 92 | 0.40 | 1350 | 3.15 | 800 | 69 | 5.3 |
| 8 | D1146-2E-S6 | 230 | 354 | 1.52 | 2100 | 8.00 | 1350 | 75 | 7.2 |
| 9 | D1146-2D-S6 | 415 | 335 | 0.56 | 2100 | - | 1300 | 75 | 7.2 |
| 10 | D1160-4E-S3 | 230 | 96 | 0.41 | 1250 | 3.15 | 750 | 69 | 4.8 |
| 11 | D1160-2E-S8 | 230 | 470 | 2.05 | 2300 | 10.00 | 1200 | 83 | 7.5 |
| 12 | D1160-2D-S8 | 415 | 502 | 0.84 | 2300 | - | 1400 | 83 | 7.5 |
| 13 | D1180-4E-K3 | 230 | 190 | 0.79 | 1050 | 5.00 | 1700 | 68 | 8.5 |
| 14 | D1180-4D-K3 | 415 | 205 | 0.35 | 1150 | - | 1700 | 68 | 8.5 |
| 15 | D1180-4E-K4 | 230 | 190 | 0.80 | 1350 | 6.00 | 1350 | 68 | 9.0 |
| 16 | D1180-4D-K4 | 415 | 200 | 0.49 | 1400 | - | 1350 | 68 | 9.0 |
| 17 | D1200-4E-K5 | 230 | 270 | 1.23 | 1350 | 8.00 | 1500 | 76 | 10.0 |
| 18 | D1200-4D-K5 | 415 | 268 | 0.53 | 1400 | - | 1500 | 76 | 10.0 |
| 19 | D1225-4E-M5 | 230 | 445 | 1.85 | 1400 | 10.00 | 2000 | 75 | 14.0 |
| 20 | D1225-4D-M5 | 415 | 465 | 1.40 | 1400 | - | 2000 | 75 | 14.0 |
| 21 | D1250-6E-M7 | 230 | 305 | 1.30 | 900 | 10.00 | 2350 | 60 | 18.5 |
| 22 | D1250-6D-M7 | 415 | 305 | 0.88 | 950 | - | 2400 | 60 | 18.5 |
| 23 | D1250-4D-M7 | 415 | 800 | 1.30 | 1250 | - | 3250 | 72 | 18.5 |

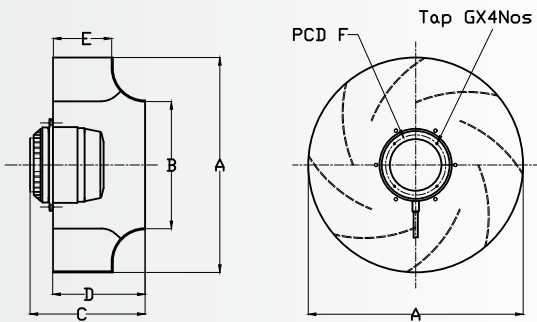
BACKWARD CURVED FANS



Impeller Diam. : 190 to 450 MM
Input Volts : 110, 230, 415 Volts AC 50/60 Hz. Single & Three Phase
Speed : 1400, 2800 RPM
Air Volume : 400 to 4950 M3/HR
Max Pressure : 70 MM WG

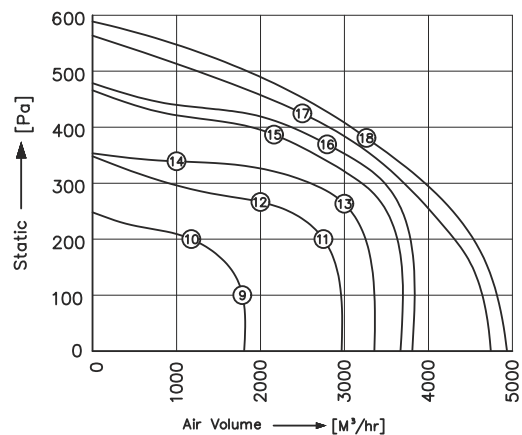
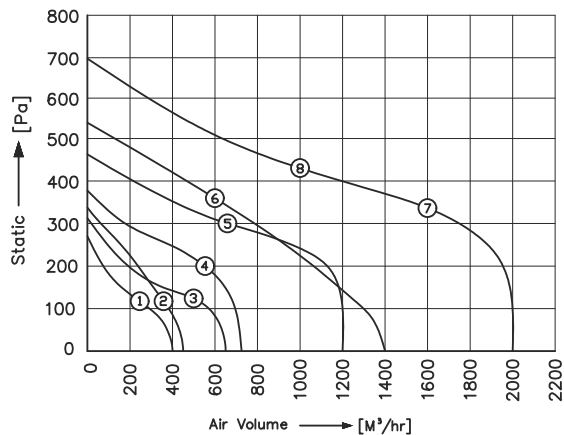
IMPELLERS IN NYLON / GI / ALUMINIUM

DIMENSIONS - BACKWARD CURVED FANS



| Model | A | B | C | D | E | F | G |
|----------|-----|-----|-----|-----|-----|-----|---------|
| BC190-S1 | 190 | 132 | 74 | 62 | 52 | 58 | M5X8MM |
| BC190-S2 | 190 | 132 | 84 | 62 | 52 | 58 | M5X8MM |
| BC220-S2 | 220 | 154 | 88 | 62 | 52 | 58 | M5X8MM |
| BC225-S3 | 225 | 154 | 102 | 90 | 62 | 58 | M5X8MM |
| BC250-S3 | 250 | 174 | 100 | 78 | 57 | 58 | M5X8MM |
| BC280-S4 | 280 | 190 | 123 | 82 | 52 | 58 | M5X8MM |
| BC315-K3 | 319 | 212 | 178 | 140 | 94 | 90 | M6X10MM |
| BC355-K4 | 359 | 240 | 183 | 145 | 94 | 90 | M6X10MM |
| BC355-M5 | 359 | 238 | 207 | 165 | 113 | 115 | M6X15MM |
| BC400-M5 | 400 | 268 | 208 | 168 | 135 | 115 | M6X15MM |
| BC450-M7 | 454 | 300 | 220 | 178 | 112 | 115 | M6X15MM |

All Dimensions are in MM



Conversion: 100pa ≈ 0.4" H2O 100m³/hr ≈ 60cfm

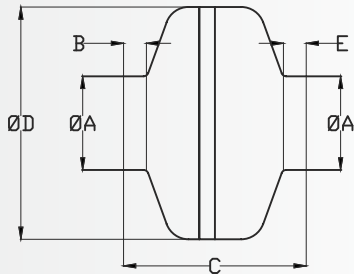
SPECIFICATIONS - BACKWARD CURVED FANS

| Sr. No. | Model | Volt (V) | Watts (W) | Current (A) | Speed (RPM) | Capacitor (μF) | Air Vol. (m³/hr) | Noise (dBA) | Nt. Wt. (Kg) |
|---------|-------------|----------|-----------|-------------|-------------|----------------|------------------|-------------|--------------|
| 1 | BC190-2E-S1 | 230 | 50 | 0.21 | 2250 | 1.00 | 400 | 66 | 1.5 |
| 2 | BC190-2E-S2 | 230 | 67 | 0.28 | 2700 | 2.00 | 450 | 66 | 1.9 |
| 3 | BC220-2E-S2 | 230 | 80 | 0.40 | 2550 | 2.00 | 650 | 70 | 2.0 |
| 4 | BC220-2D-S2 | 415 | 90 | 0.20 | 2600 | - | 725 | 70 | 2.0 |
| 5 | BC225-2E-S3 | 230 | 125 | 0.55 | 2550 | 4.00 | 1200 | 74 | 2.4 |
| 6 | BC250-2E-S3 | 230 | 127 | 0.54 | 2600 | 4.00 | 1400 | 72 | 2.5 |
| 7 | BC280-2E-S4 | 230 | 260 | 1.15 | 2550 | 8.00 | 2000 | 79 | 3.3 |
| 8 | BC280-2D-S4 | 415 | 260 | 0.60 | 2550 | - | 2000 | 79 | 3.3 |
| 9 | BC315-4E-K3 | 230 | 130 | 0.64 | 1400 | 4.00 | 2000 | 65 | 4.9 |
| 10 | BC315-4D-K3 | 415 | 135 | 0.47 | 1400 | - | 2000 | 65 | 4.9 |
| 11 | BC355-4E-K4 | 230 | 190 | 0.85 | 1400 | 6.00 | 3000 | 71 | 5.0 |
| 12 | BC355-4D-K4 | 415 | 200 | 0.70 | 1400 | - | 3000 | 71 | 5.0 |
| 13 | BC355-4E-M5 | 230 | 350 | 1.70 | 1400 | 10.00 | 3350 | 75 | 8.25 |
| 14 | BC355-4D-M5 | 415 | 245 | 0.87 | 1450 | - | 3350 | 75 | 8.25 |
| 15 | BC400-4E-M5 | 230 | 400 | 1.95 | 1400 | 10.00 | 3650 | 76 | 8.9 |
| 16 | BC400-4D-M5 | 415 | 400 | 1.55 | 1400 | - | 3800 | 76 | 8.9 |
| 17 | BC450-4D-M7 | 415 | 530 | 1.78 | 1450 | - | 4950 | 82 | 12.0 |
| 18 | BC450-4E-M7 | 230 | 520 | 2.45 | 1400 | 20.00 | 4750 | 80 | 12.0 |

CIRCULAR & RECTANGULAR INLINE FANS



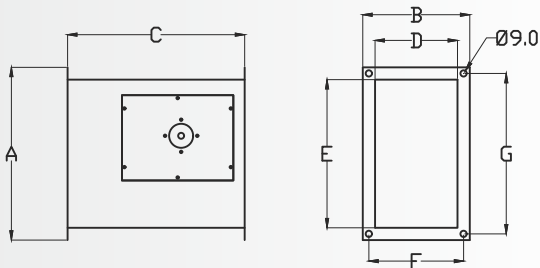
DIMENSIONS - CIRCULAR INLINE FANS



| Model | A | B | C | D | E |
|-------------|-----|----|-----|-----|----|
| CI100-2E-S1 | 100 | 23 | 195 | 242 | 23 |
| CI125-2E-S2 | 125 | 25 | 195 | 242 | 25 |
| CI150-2E-S2 | 150 | 27 | 230 | 332 | 27 |
| CI160-2E-S3 | 160 | 27 | 230 | 332 | 27 |
| CI200-2E-S3 | 198 | 35 | 230 | 332 | 30 |
| CI250-2E-S3 | 248 | 35 | 215 | 332 | 30 |
| CI315-2E-K3 | 315 | 40 | 258 | 402 | 30 |

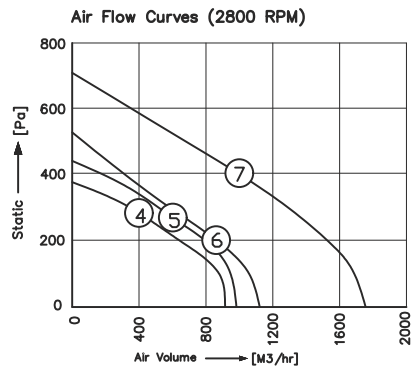
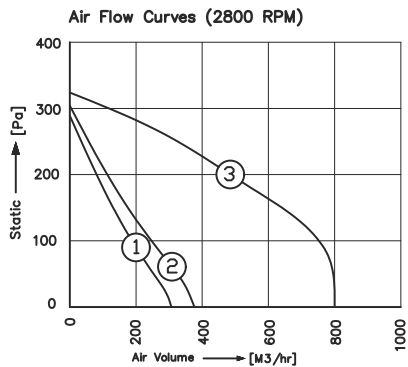
All Dimensions are in MM

DIMENSIONS - RECTANGULAR INLINE FANS



| Model | A | B | C | D | E | F | G |
|--------------|-----|-----|-----|-----|-----|-----|-----|
| RI300X150-S2 | 345 | 192 | 375 | 150 | 300 | 173 | 323 |
| RI400X200-S2 | 443 | 240 | 500 | 200 | 400 | 221 | 422 |
| RI500X300-K4 | 545 | 340 | 532 | 300 | 500 | 322 | 522 |
| RI500X250-S3 | 542 | 293 | 532 | 250 | 500 | 274 | 521 |
| RI600X300-K4 | 645 | 293 | 642 | 300 | 600 | 321 | 623 |
| RI600X350-M5 | 645 | 390 | 720 | 350 | 600 | 372 | 623 |
| RI700X400-M7 | 742 | 442 | 790 | 400 | 700 | 423 | 722 |

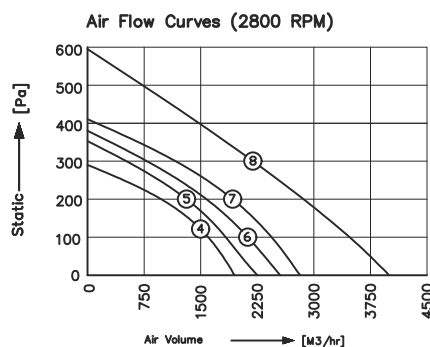
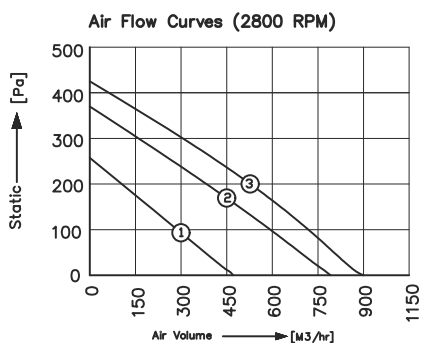
All Dimensions are in MM



Conversion: 100pa ≈ 0.4" H2O 100m³/hr ≈ 60cfm

SPECIFICATIONS - CIRCULAR INLINE FANS

| Sr. No. | Model | Volt (V) | Watts (W) | Current (A) | Speed (RPM) | Capacitor (μF) | Air Vol. (m ³ /hr) | Noise (dBA) | Nt. Wt. (Kg) |
|---------|-------------|----------|-----------|-------------|-------------|----------------|-------------------------------|-------------|--------------|
| 1 | CI100-2E-S1 | 230 | 55 | 0.21 | 2350 | 1.50 | 300 | 60 | 2.9 |
| 2 | CI125-2E-S2 | 230 | 75 | 0.30 | 2700 | 2.00 | 375 | 65 | 3.15 |
| 3 | CI150-2E-S2 | 230 | 95 | 0.40 | 2550 | 2.50 | 600 | 72 | 3.7 |
| 4 | CI160-2E-S3 | 230 | 105 | 0.45 | 2650 | 4.00 | 925 | 72 | 4.9 |
| 5 | CI200-2E-S3 | 230 | 105 | 0.45 | 2650 | 4.00 | 975 | 72 | 5.0 |
| 6 | CI250-2E-S3 | 230 | 120 | 0.50 | 2550 | 4.00 | 1100 | 74 | 5.0 |
| 7 | CI315-2E-K3 | 230 | 285 | 1.18 | 2700 | 5.00 | 1600 | 80 | 7.5 |



Conversion: 100pa ≈ 0.4" H2O 100m³/hr ≈ 60cfm

SPECIFICATIONS - RECTANGULAR INLINE FANS

| Sr. No. | Model | Volt (V) | Watts (W) | Current (A) | Speed (rpm) | Capacitor (μF) | Air Vol. (m ³ /hr) | Noise (dBA) | Nt. Wt. (Kg) |
|---------|-----------------|----------|-----------|-------------|-------------|----------------|-------------------------------|-------------|--------------|
| 1 | RI300X150-2E-S2 | 230 | 90 | 0.40 | 2700 | 3.15 | 475 | 73 | 7.4 |
| 2 | RI400X200-2E-S2 | 230 | 95 | 0.42 | 2800 | 3.15 | 800 | 76 | 11.0 |
| 3 | RI500X250-2E-S3 | 230 | 100 | 0.50 | 2700 | 4.00 | 900 | 77 | 15.7 |
| 4 | RI500X300-4E-K4 | 230 | 190 | 1.00 | 1400 | 6.00 | 1950 | 72 | 19.0 |
| 5 | RI600X300-4E-K4 | 230 | 190 | 0.78 | 1400 | 6.00 | 2250 | 76 | 23.7 |
| 6 | RI600X350-4E-M5 | 230 | 300 | 1.35 | 1400 | 10.00 | 2550 | 78 | 29.5 |
| 7 | RI600X350-4E-M5 | 230 | 365 | 1.65 | 1400 | 10.00 | 2850 | 80 | 30.4 |
| 8 | RI700X400-4D-M7 | 415 | 430 | 0.85 | 1400 | - | 4000 | 65 | 39.0 |



www.rotechfans.in



266 & 267, GIDC Estate, Antalia, Bilimora, Gujarat - 396325, India.

T: 02634-281275 M: +91-8320145119 / 9879890383 E: info@rotechfans.com



**PRODUCTS ILLUSTRATED IN THIS CATALOGUE ARE STANDARD PRODUCTS,
PLEASE ENQUIRE WITH US FOR NON-STANDARD CUSTOM MADE PRODUCT REQUIREMENT.**



Disclaimer : The information and data contained in this catalogue are established to the best of our ability, however it's the users responsibility to check the suitability of our product for their applications. Nothing contained herein is to be construed as a warranty or guarantee, expressed or implied, with respect to the products. Please consult our technical team for appropriate recommendations. In view of continuous improvement and upgradation of products, the design, the specification, dimensions and information contained herein are subject to change without notice.